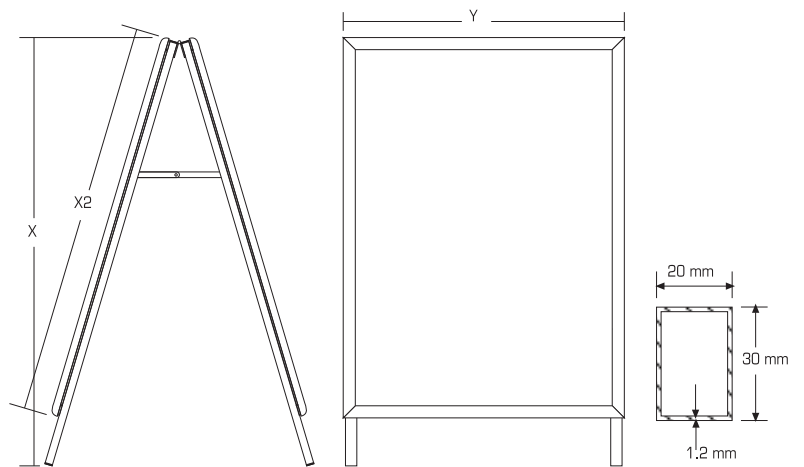
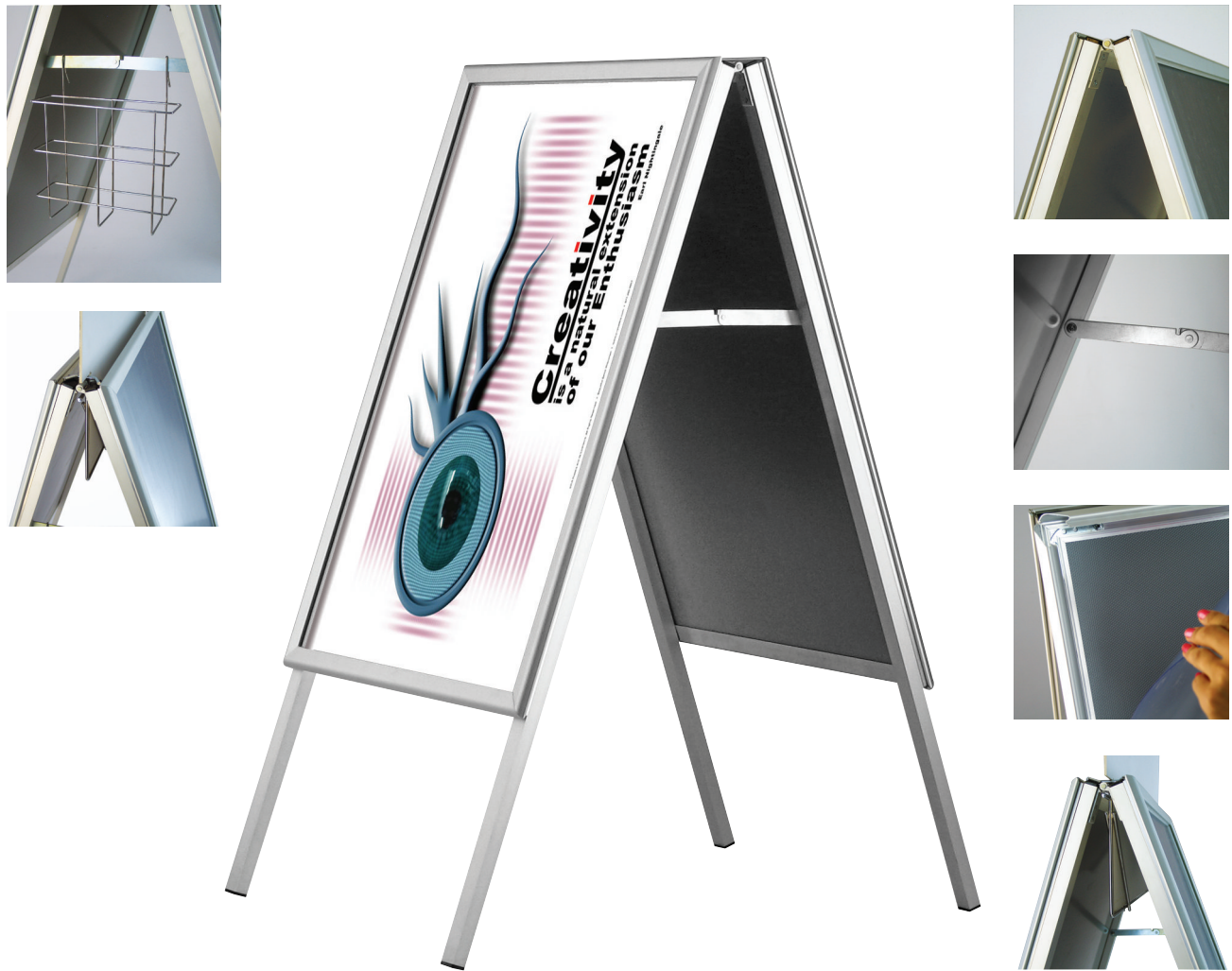
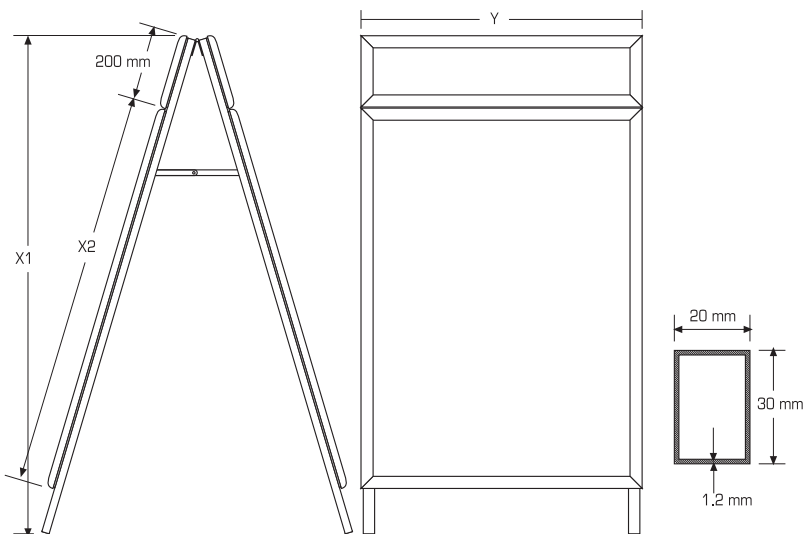
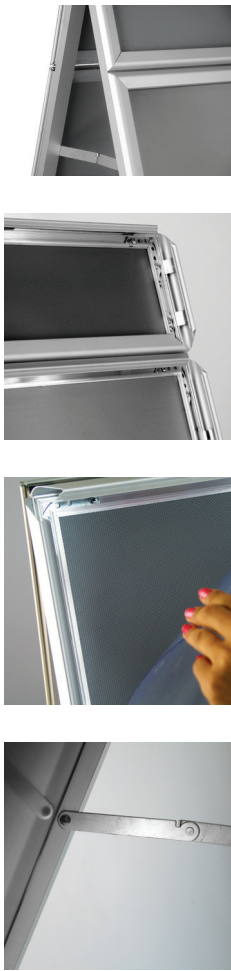


# SIDEWALK SIGNS



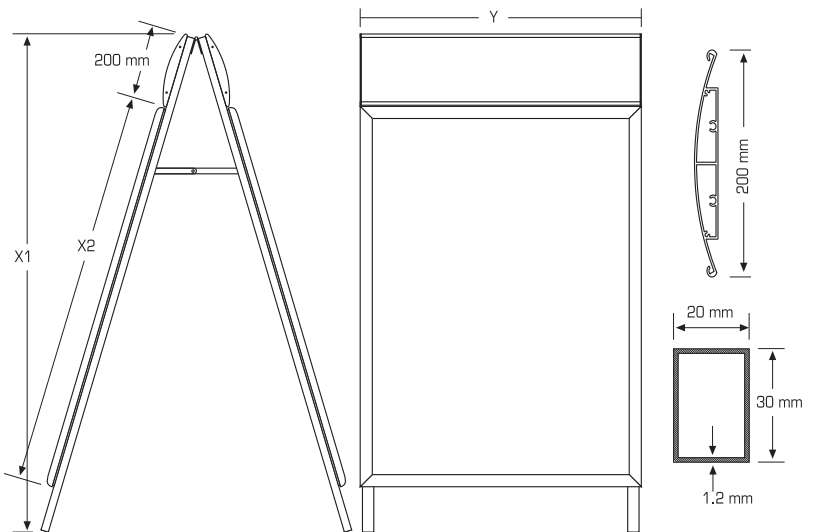
20 mm x 30 mm standing profiles.  
 Water resistant with integrated water outflow holes.  
 32 mm snap frames with round or mitred corners.  
 Galvanised steel backplate option available.  
 Flat packed in doublewall carton boxes with corrugated corner supports.  
 Optional logoholder and logoplate for DINAA1 size.  
 Optional DINA4 leaflet dispenser.

EXTRUSION: Silver color (anodised) aluminium			
FRAME PROFILE: 32 mm			
ITEM CODE		INSERT SIZE (X2)	EXTERNAL SIZE (Y/X)
MITRED CORNER	ROUND CORNER		
APSD 32 050070	APRD 32 050070	(B2) 500 x 700 mm	544 x 950 mm
APSD 32 060084	APRD 32 060084	(A1) 594 x 841 mm	638 x 1150 mm
APSD 32 070100	APRD 32 070100	(B1) 700 x 1000 mm	744 x 1150 mm



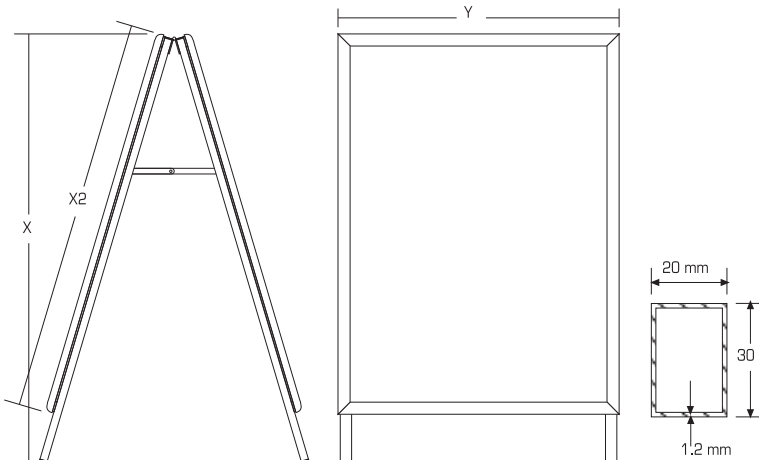
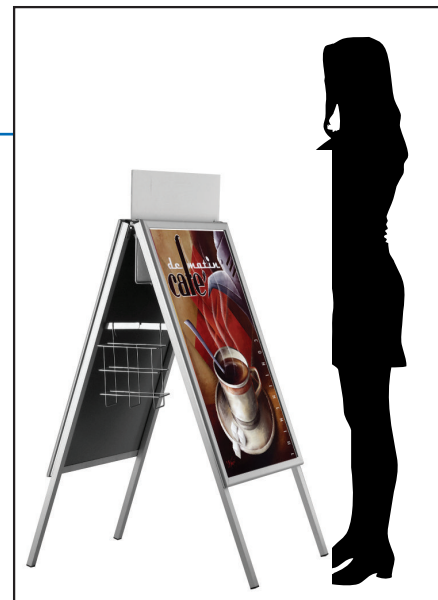
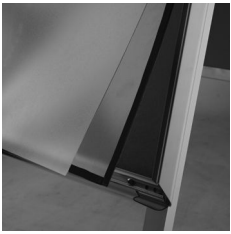
EXTRUSION: Silver color (anodised) aluminium		
FRAME PROFILE: 32 mm		
ITEM CODE	INSERT SIZE (X2)	EXTERNAL SIZE (Y/X1)
MITRED CORNER		
APSD 32CA 050070	(B2) 500 x 700 mm	544 x 1150 mm
APSD 32CA 060084	(A1) 594 x 841 mm	638 x 1350 mm
APSD 32CA 070100	(B1) 700 x 1000 mm	744 x 1350 mm

Snap frame header display allowing poster changes in seconds.  
 20 mm x 30 mm standing profiles.  
 Water resistant with integrated water outflow holes.  
 32 mm snap frames with mitred corners.  
 Galvanised steel backplate option available.  
 Flat packed in doublewall carton boxes with corrugated corner supports.  
 Optional DINA4 leaflet dispenser.



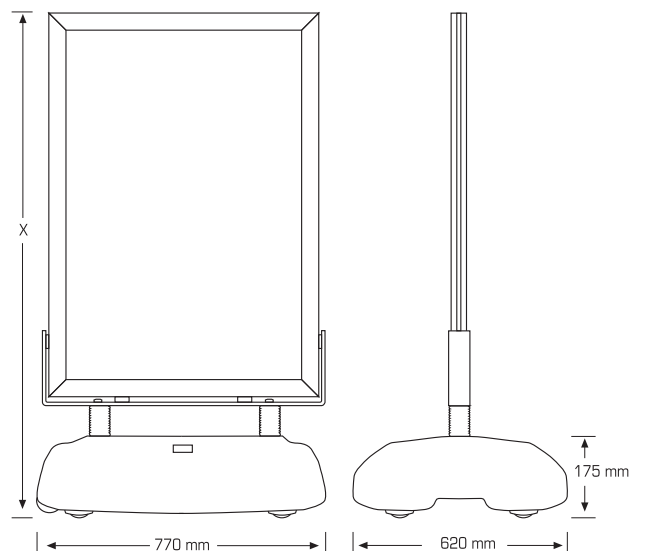
Integrated header made of aluminium.  
 Allowing poster changes in seconds with special design profile and PVC protective sheet.  
 20 mm x 30 mm standing profiles.  
 Water resistant with integrated water outflow holes.  
 25 mm snap frames with mitred corners.  
 Galvanised steel backplate option available.  
 Flat packed in doublewall carton boxes with corrugated corner supports.  
 Optional DINA4 leaflet dispenser.

EXTRUSION: Silver color (anodised) aluminium		
FRAME PROFILE: 25 mm		
ITEM CODE	INSERT SIZE (X2)	EXTERNAL SIZE (Y/X1)
MITRED CORNER		
APSD 25VA 050070	(B2) 500 x 700 mm	544 x 1150 mm
APSD 25VA 060084	(A1) 594 x 841 mm	638 x 1350 mm
APSD 25VA 070100	(B1) 700 x 1000 mm	744 x 1350 mm



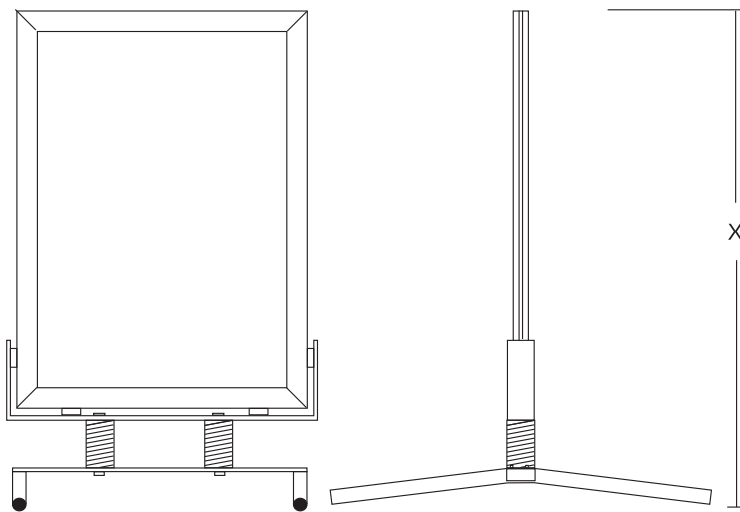
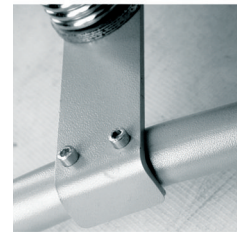
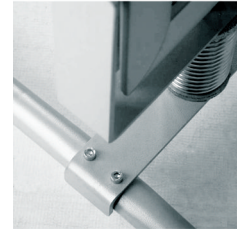
EXTRUSION: Silver color (anodised) aluminium		
FRAME PROFILE: 32 mm		
ITEM CODE	INSERT SIZE (X2)	EXTERNAL SIZE (Y/X)
MITRED CORNER		
APSD 32 050070 WP	(B2) 500 x 700 mm	584 x 950 mm
APSD 32 050070 WP	(A1) 594 x 841 mm	678 x 1150 mm
APSD 32 050070 WP	(B1) 700 x 1000 mm	784 x 1150 mm

Suitable for use in rainy outdoor conditions.  
 Foam rubber wick provides water resistance.  
 Fitted with a foam insert beneath frame edge to reduce BUT NOT eliminate water penetration.  
 Also water resistant with integrated water outflow holes.  
 Galvanised steel backplate.  
 Flat packed in doublewall corrugated cardboard with corrugated corner supports.  
 Optional DIN A4 leaflet dispenser and header.



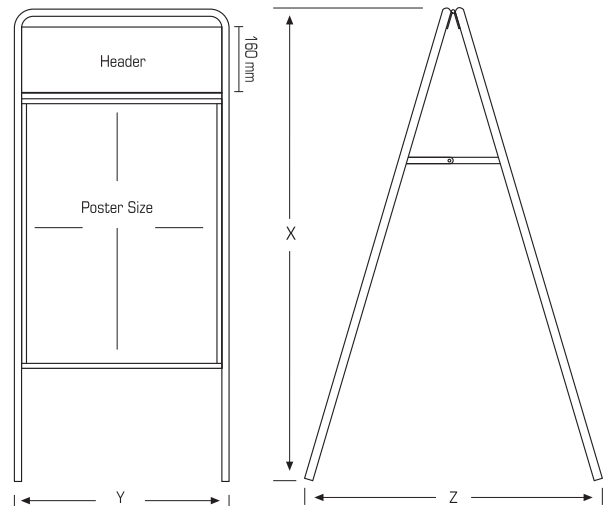
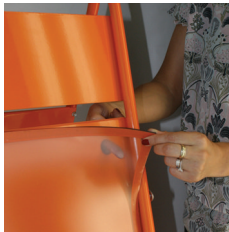
External pavement sign with a water or sand filled base. High quality steel springs guarantee stability even in windy conditions. Wheels attached to the base allow easy manoeuvring in all conditions. Shock resistant, non corrosive rear panels. Aluminium snap frame poster capture. Very stable base with reinforced springs. Available in standart sizes. Spring steel connectors prevent wear and tear when opening. Standart colour: EV1/E6 (silver anodised), all standart RAL colours. available for order. \*WP: Weather resistant with foam tape around the PVC cover!..

EXTRUSION: Silver color (anodised) aluminium		
FRAME PROFILE: 46 mm		
ITEM CODE	INSERT SIZE	HEIGHT (X)
SWSD 46 050070	(B2) 500 x 700 mm	1035 mm
SWSD 46 060084	(A1) 594 x 841 mm	1130 mm
SWSD 46 070100	(B1) 100 x 1000 mm	1335 mm
SWSD 46 084118	(A0) 841 x 1188 mm	1525 mm
*SWSD 46 050070 WP	(B2) 500 x 700 mm	1035 mm
*SWSD 46 060084 WP	(A1) 594 x 841 mm	1130 mm
*SWSD 46 070100 WP	(B1) 100 x 1000 mm	1335 mm
*SWSD 46 084118 WP	(A0) 841 x 1188 mm	1525 mm



EXTRUSION: Silver color (anodised) aluminium		
FRAME PROFILE: 46 mm		
ITEM CODE	INSERT SIZE	HEIGHT (X)
SWSD DA 46 050070	(B2) 500 x 700 mm	1055 mm
SWSD DA 46 060084	(A1) 594 x 841 mm	1150 mm
SWSD DA 46 070100	(B1) 100 x 1000 mm	1315 mm
SWSD DA 46 084118	(A0) 841 x 1188 mm	1510 mm
* SWSD DA 46 050070 WP	(B2) 500 x 700 mm	1055 mm
* SWSD DA 46 060084 WP	(A1) 594 x 841 mm	1150 mm
* SWSD DA 46 070100 WP	(B1) 100 x 1000 mm	1315 mm
* SWSD DA 46 084118 WP	(A0) 841 x 1188 mm	1510 mm

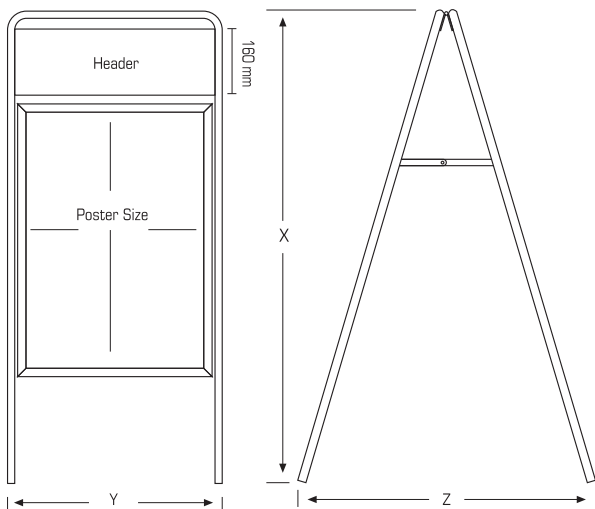
Steel springs provide flexibility to keep it stable. Suitable for windy outdoor conditions. Heavy and long feet on the base provide stability. Also, a header can easily be added. This product is shipped unassembled with a package including assembly instructions and fixing set.



Poster display stand for indoor and outdoor use  
 Folding stand with header for branding  
 Weatherproof UV stable antiglare PVC magnetic cover sheets with colour matched borders  
 Steel construction  
 Powder coated A-Frame in a choice of colours  
 19 mm diameter tubing  
 Individually packed in cardboard cartons  
 Magnetic edged cover ensures clean, dry posters  
 Easy poster access via release hole in the back of each panel  
 Folds flat for storage and shipping  
 No assembly required

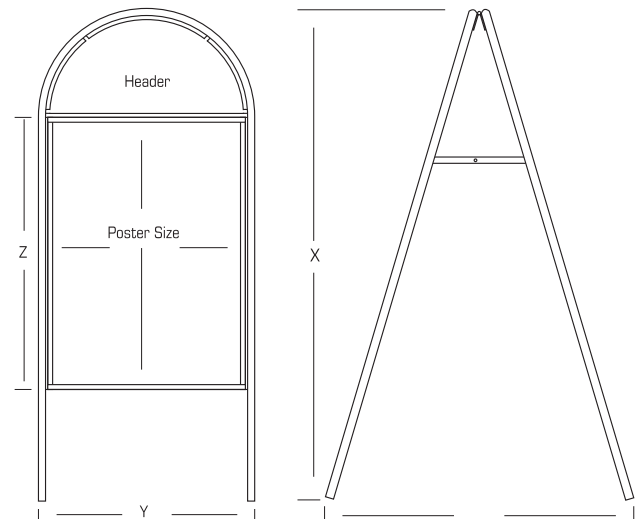
MATERIAL: Steel			
ITEM CODE	HEIGHT	POSTER SIZE	Y*Z
with Header			
SAPB A 050070	1230 mm	500 x 700 mm	570 x 800 mm
SAPB A 060084	1230 mm	594 x 841 mm	665 x 800 mm
SAPB A 070100	1423 mm	700 x 1000 mm	770 x 900 mm
no Header			
SAPB 050070	1050 mm	500 x 700 mm	570 x 650 mm
SAPB 060084	1050 mm	594 x 841 mm	665 x 650 mm
SAPB 070100	1250 mm	700 x 1000 mm	770 x 750 mm





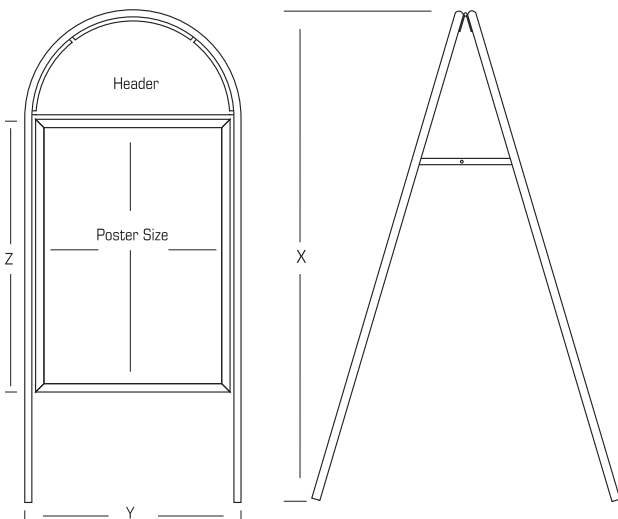
MATERIAL: Steel			
POSTER FRAME: Aluminium			
ITEM CODE	HEIGHT	POSTER SIZE	Y*Z
with Header			
SAPB A PF 050070	1230 mm	500 x 700 mm	595 x 745 mm
SAPB A PF 060084	1230 mm	594 x 841 mm	690 x 886 mm
SAPB A PF 070100	1423 mm	700 x 1000 mm	795 x 1045 mm
no Header			
SAPB PF 050070	1050 mm	500 x 700 mm	595 x 745 mm
SAPB PF 060084	1050 mm	594 x 841 mm	690 x 886 mm
SAPB PF 070100	1250 mm	700 x 1000 mm	795 x 1045 mm

Poster display stand with snap frames, for indoor and outdoor use. Water resistant with integrated water outflow holes. Folding stand with header for branding (optional), Folds flat for storage and shipping. Steel construction. Powder coated A-Frame with a scale of colours. 19 mm diameter tubing. Rectangular header for vinyl lettering or printed sticker. Individually packed in cardboard carton boxes. No assembly required.



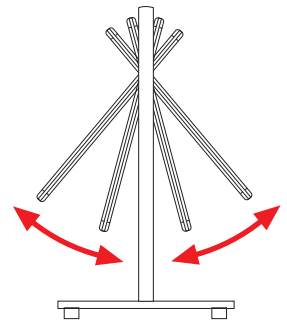
Double sided poster display with semicircle top plate for business logo.  
 Steel construction.  
 Powder coated A-Frame with a scale of colours.  
 25 mm diameter tubing.  
 Hinged sides that fold flat for easy storage.  
 Semicircle header for vinyl lettering or printed sticker.  
 Individually packed in cardboard carton boxes.  
 No assembly required.

MATERIAL: Steel			
ITEM CODE	HEIGHT (X)	POSTER SIZE	Y*Z
SAPC A 050070	1150	500 x 700 mm	568 x 740 mm
SAPC A 060084	1400	594 x 841 mm	665 x 880 mm
SAPC A 070100	1600	700 x 1000 mm	768 x 1040 mm

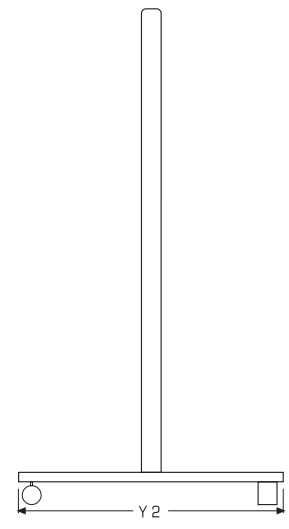
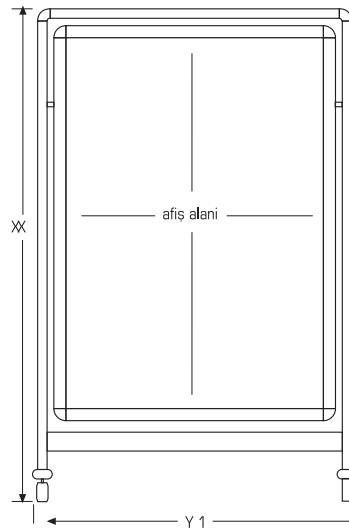


Poster display stand with snap frames, for indoor and outdoor use  
 Water resistant with integrated water outflow holes.  
 Folding stand with semicircle header for branding,  
 Folds flat for storage and shipping.  
 Steel construction.  
 Powder coated A-Frame with a scale of colours.  
 25 mm diameter tubing.  
 Semicircle header for vinyl lettering or printed sticker.  
 Individually packed in cardboard carton boxes.  
 No assembly required.

MATERIAL: Steel			
POSTER FARME: Aluminium			
ITEM CODE	HEIGHT (X)	POSTER SIZE	Y*Z
SAPC A PF 050070	1150	500 x 700 mm	607 x 745 mm
SAPC A PF 060084	1400	594 x 841 mm	702 x 886 mm
SAPC A PF 070100	1600	700 x 1000 mm	807 x 1045 mm

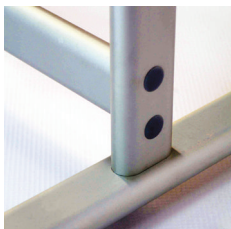


DESIGNED BY ORES, NOVEMBER 1998.

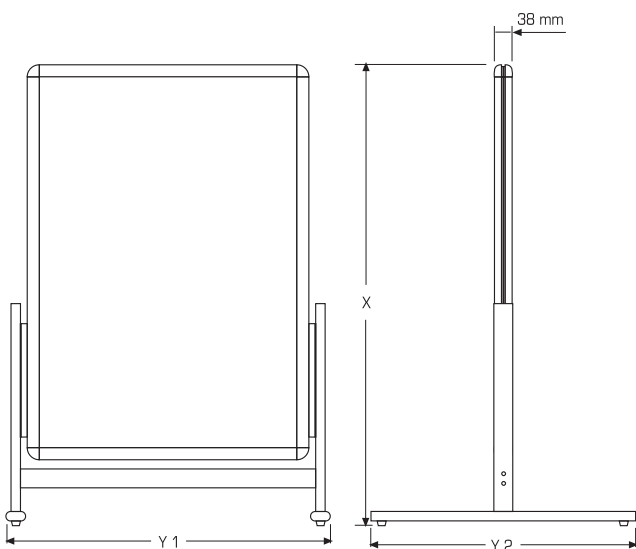


Swinging option creates extra attraction.  
 Portable with two locking casters.  
 25 or 32 mm round corner snap frames allowing fast poster changes.  
 Stable with 25 x 52 mm standing poles and T foot system.  
 0.5 mm galvanised steel or 1.3 mm polystren would be used as backplates upon your request.  
 Flat packed to save space.

EXTRUSION: Silver color (anodised) aluminium			
FRAME PROFILE: 25/32 mm			
ITEM CODE	INSERT SIZE	EXTERNAL SIZE (Y1/X)	FOOT LENGHT (Y2)
ROUND CORNER			
SWRD 32 042060	(A2) 420 x 594 mm	555 x 730 mm	450 mm
SWRD 32 050070	(B2) 500 x 700 mm	635 x 915 mm	500 mm
SWRD 32 060084	(A1) 594 x 841 mm	730 x 1050 mm	600 mm
SWRD 32 070100	(B1) 700 x 1000 mm	835 x 1210 mm	700 mm

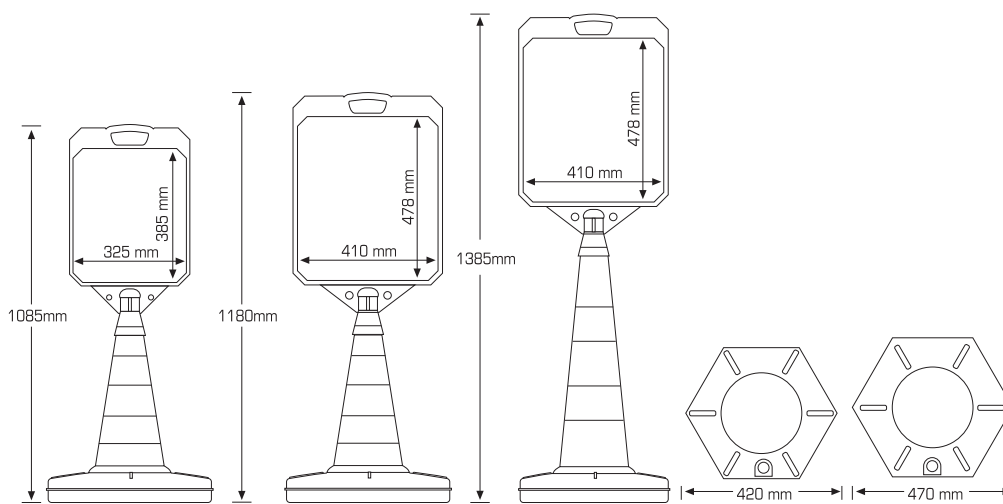


DESIGNED BY ORES, MARCH 1996



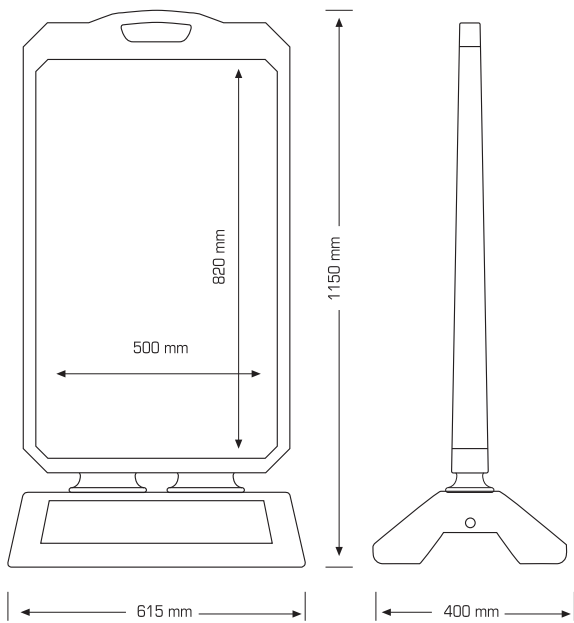
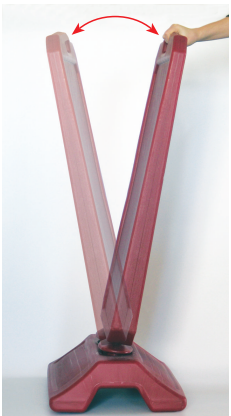
EXTRUSION: Silver color (anodised) aluminium				
FRAME PROFILE: 32 mm				
ITEM CODE	INSERT SIZE	EXTERNAL SIZE (Y1/X)	FOOT LENGTH (Y2)	
MITRED CORNER	ROUND CORNER			
SSD 32 050070	SRD 32 050070	(B2) 500 x 700 mm	635 x 915 mm	500 mm
SSD 32 060084	SRD 32 060084	(A1) 594 x 841 mm	730 x 1050 mm	600 mm
SSD 32 070100	SRD 32 070100	(B1) 700 x 1000 mm	835 x 1210 mm	700 mm

An alternative design to A Boards 32 mm round corner snap frames allowing fast poster changes. Durable with 25 x 52 mm standing profiles and T foot system. Water resistant with integrated water outflow holes. Anti glare PVC sheet maintains a clear view without gleam and protects your posters from bleaching out with UV filter. Flat packed to save space.



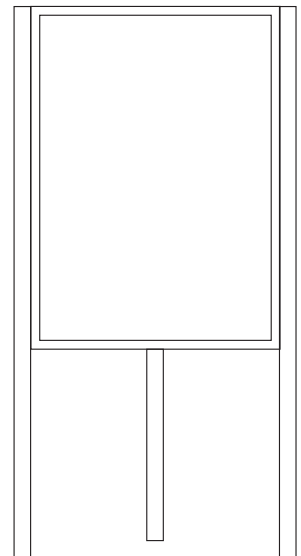
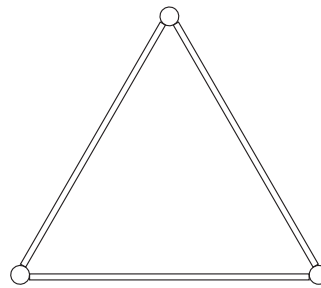
Add water or sand into the base to create additional weight for durability.  
 Ideal for all outdoors like parking areas, playgrounds, shop entrances  
 Suitable for all outdoor conditions.  
 Double sided graphic area.  
 3 different sizes available.

EXTRUSION: Plastic		
ITEM CODE	HEIGHT	PRINT AREA
PDK 1085	1085 mm	325 x 385 mm
PDK 1180	1180 mm	410 x 478 mm
PDK 1385	1385 mm	410 x 478 mm



Add water or sand into the base to create additional weight for durability. Ideal for all outdoors like parking areas, playgrounds and shop entrances. Suitable for all outdoor conditions. Swinging option creates extra stability. Double sided graphic area each 500 mm x 820 mm. Additional logo area on base.

EXTRUSION: Plastic		
ITEM CODE	HEIGHT	PRINT AREA
P APANO	1150 mm	500 x 820 mm



Ideal for outdoor advertising.  
 Three poster areas on one display.  
 Can be used around the trees or power poles,  
 so that holds no place on the pavements.

EXTRUSION: Silver color (anodised) aluminium  
 FRAME PROFILE: 32 mm

ITEM CODE	HEIGHT	PRINT AREA
PS 3Y 32 060084	1800 mm	600 x 840 mm x(3)
PS 3Y 32 070100	1800 mm	700 x 1000 mm x(3)
PS 3Y 32 084118	1800 mm	840 x 1180 mm x(3)
PS 3Y 32K 060084	1800 mm	600 x 840 mm x(3)
PS 3Y 32K 070100	1800 mm	700 x 1000 mm x(3)
PS 3Y 32K 084118	1800 mm	840 x 1180 mm x(3)